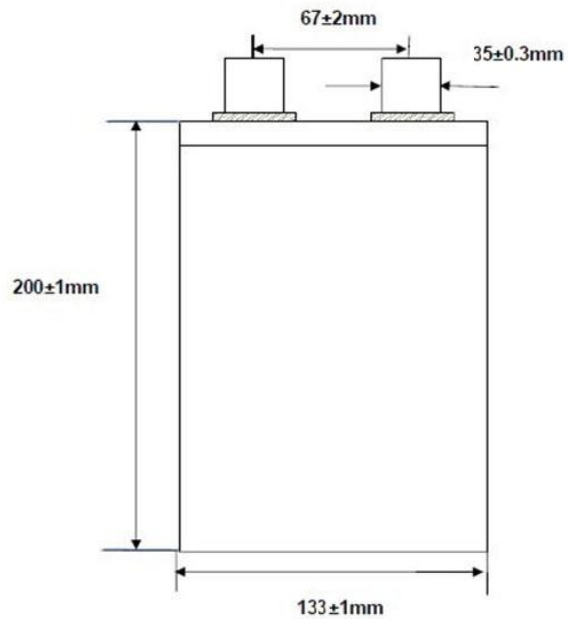


**Photo**

**Drawing**


|                       |                              |                              |
|-----------------------|------------------------------|------------------------------|
| Nominal Capacity      |                              | 25Ah@0.3C Discharging        |
| Minimum Capacity      |                              | 25Ah@0.3C Discharging        |
| Nominal Voltage       |                              | 3.7V                         |
| Internal Resistance   |                              | ≤1.2mΩ                       |
| Charging(CC-CV)       | Charging Current             | 0.5C continuous / 1C peak    |
|                       | Charging Upper Limit Voltage | 4.2V                         |
| Discharging           | Discharging Current          | 3C continuous / 5C peak      |
|                       | Discharging Cut-off Voltage  | 3.0V                         |
| Charging Time         | Standard Charging            | 2H                           |
|                       | Quick-acting Charging        | 1H                           |
| Operation Temperature | Charging                     | 0°C~45°C                     |
|                       | Discharging                  | -20°C~55°C                   |
| Weight                |                              | 0.51Kg                       |
| Size                  |                              | 9.2x133x200mm                |
| Shape                 |                              | NCM Lithium ion polymer cell |

